

SAFETY WARNINGS

The Installation should only be undertaken by a qualified electrician. The light source contained in this luminaire is integrated and shall only be replaced by the manufacturer or his service agent or a similar qualified person.

L'installation du luminaire doit se faire par un ingénieur électricien agréé. La source lumineuse contenue dans ce luminaire est intégrée et ne peut être remplacé que par le fabricant ou un de ses agents de service ou une personne qualifiée.

La instalación sólo debe ser realizada por un electricista calificado. La fuente de luz incluida en esta luminaria está integrada y sólo debe ser sustituida por el fabricante o su agente de servicio o una persona cualificada similar.

L'installazione deve essere eseguita solo da un elettricista qualificato. La sorgente luminosa contenuta in questo apparecchio è integrata e deve essere sostituita solo dal produttore o dal suo agente di servizio o da una persona qualificata simile.

Die Installation darf nur von einem Elektrofachmann durchgeführt werden. Die in dieser Leuchte enthaltene Lichtquelle ist integriert und darf nur durch den Hersteller oder seinen Kundendienst oder eine ähnlich qualifizierte Person ersetzt werden.

Монтаж должен выполняться только квалифицированным электриком. Источник света, содержащийся в этом светильнике, интегрирован и заменяется только изготовителем или его сервисным агентом или аналогичным квалифицированным персоналом.

TECHNICAL INFORMATION

Brixton Spot Cluster (EU) - 220v,
DC 10 x 4W LED Unit
CE certified, CRI 90, 2800 Lumen
2700K , Triac / Lutron /+0-10v Dimmable
Compatible with Casambi bluetooth
control system

CLEANING AND CARE

Use a non abrasive cloth to keep your Brixton Spot Cluster clean.

Our continually updated product documentation can be accessed at www.innermost.net



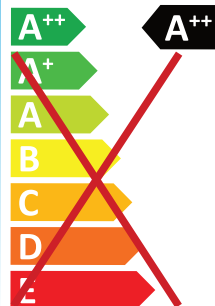
Innermost WEEE
registration number:
WEE/FH1713VS

innermost

Brixton Spot PB0991XX-XX



This luminaire is
compatible with bulbs
of the energy classes:



This lamp cannot be changed
in the luminaire.

874/2012



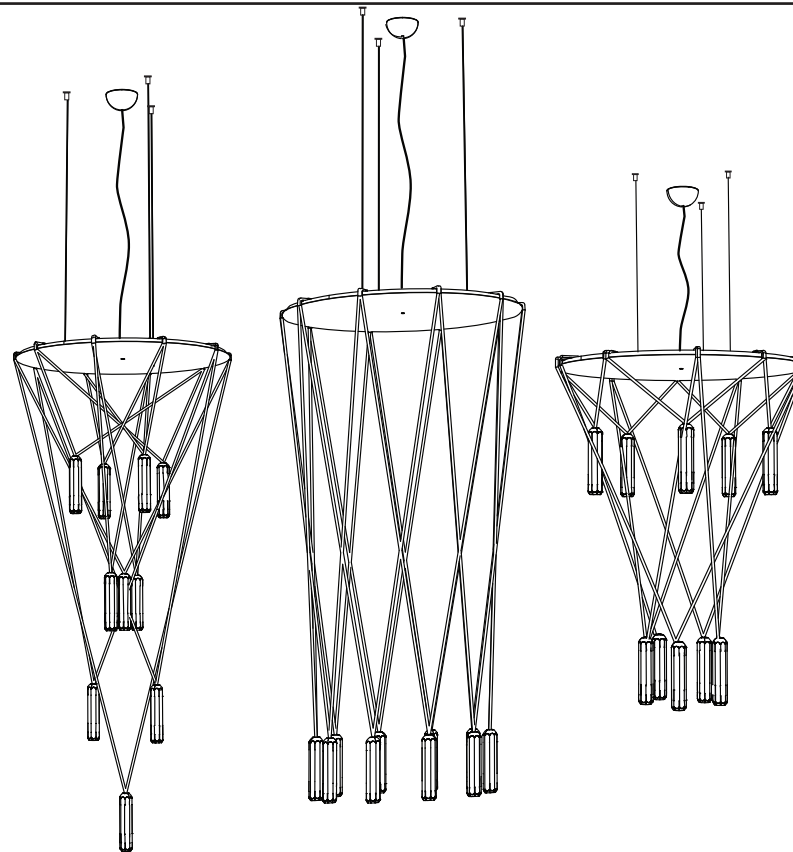
For further information, please
contact: info@innermost.net

www.innermost.net

OXO Tower Wharf Bargehouse Street
London, SE1 9PH

Brixton Spot Cluster

by James Bartlett



INSTALLATION GUIDE FOR :
Brixton Spot Cluster

White UK/EU: PB12915001
Copper UK/EU: PB12915007
Graphite UK/EU: PB12915036

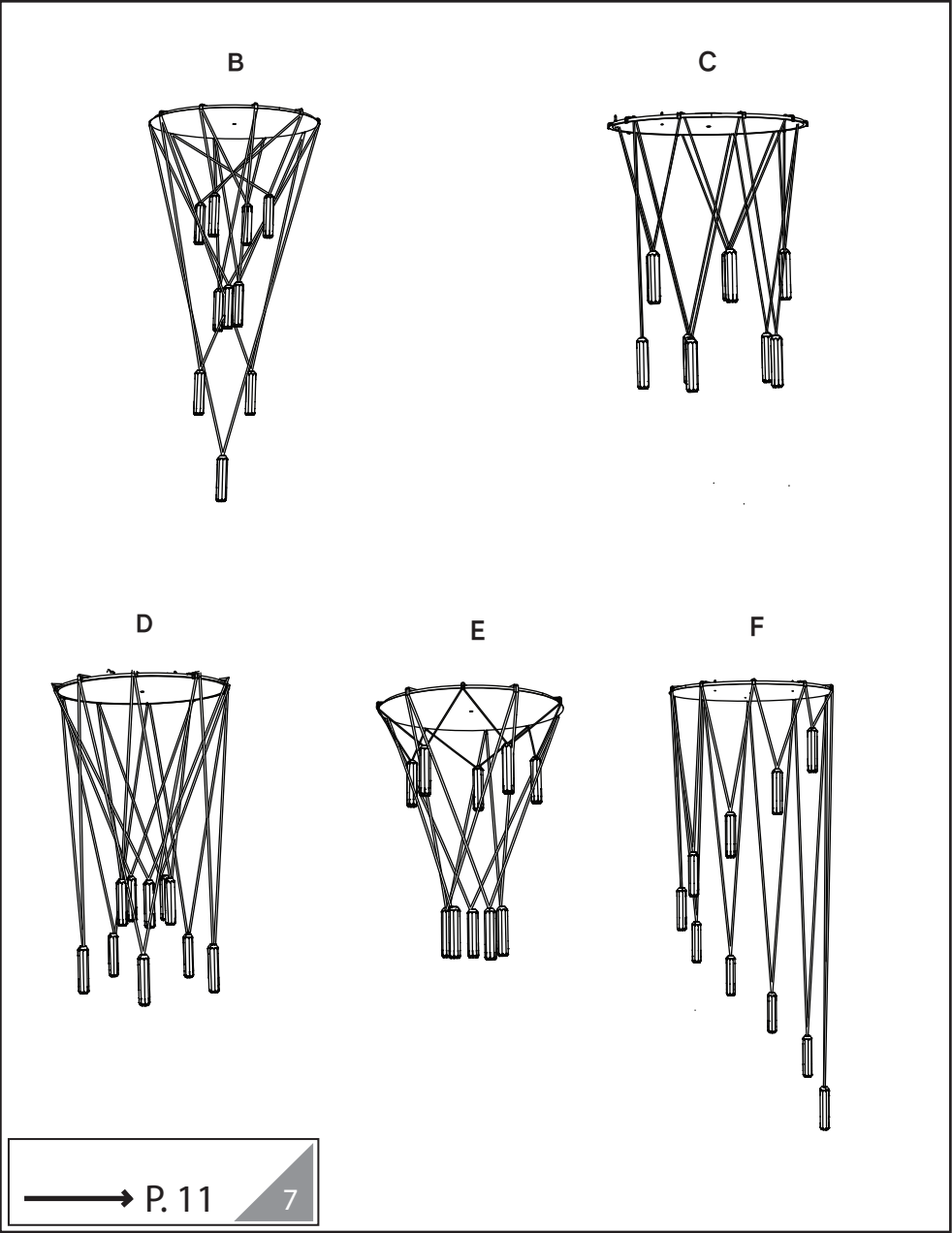
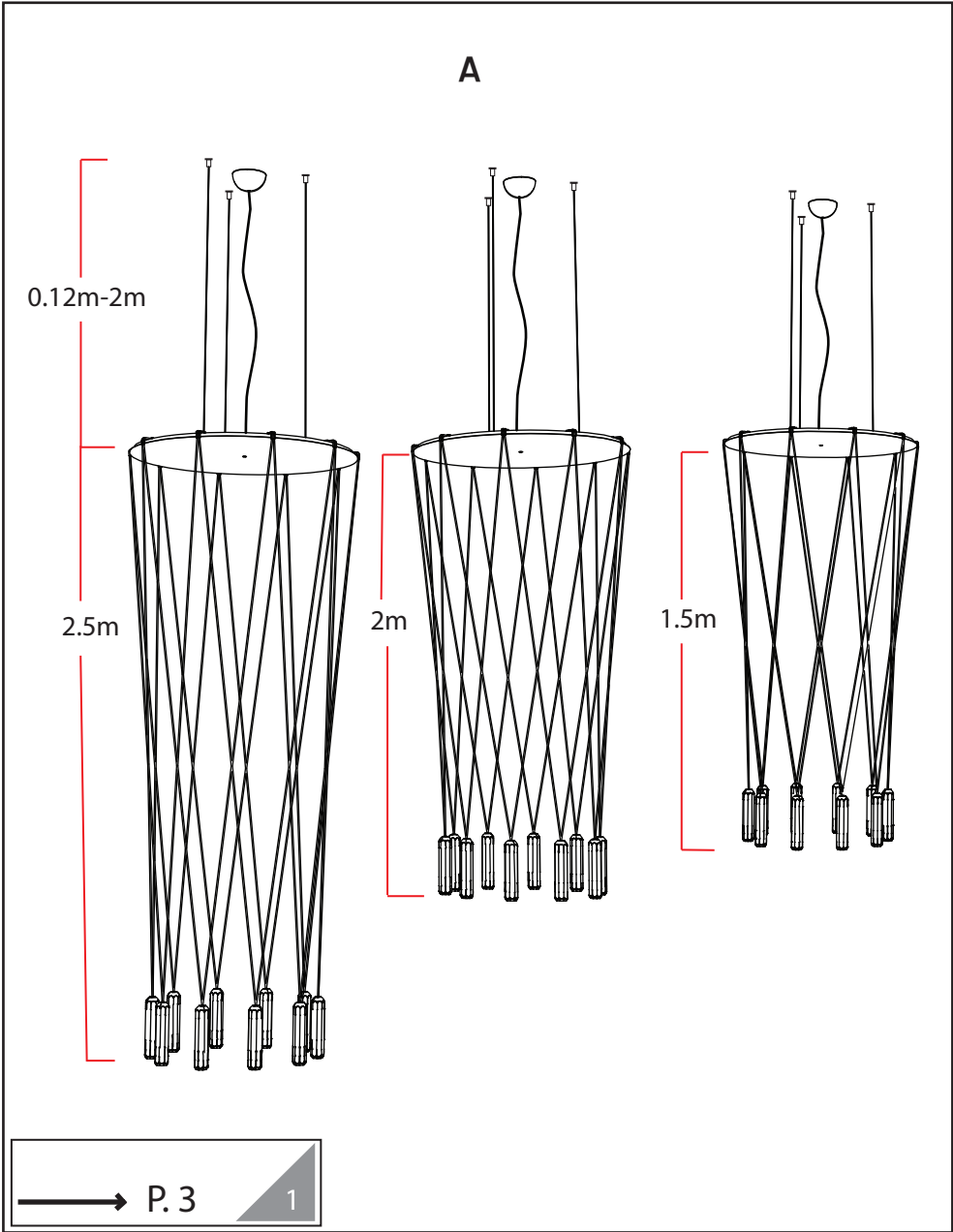
innermost[®]

ITG053.70.01

Brixton Spot Cluster

by James Bartlett

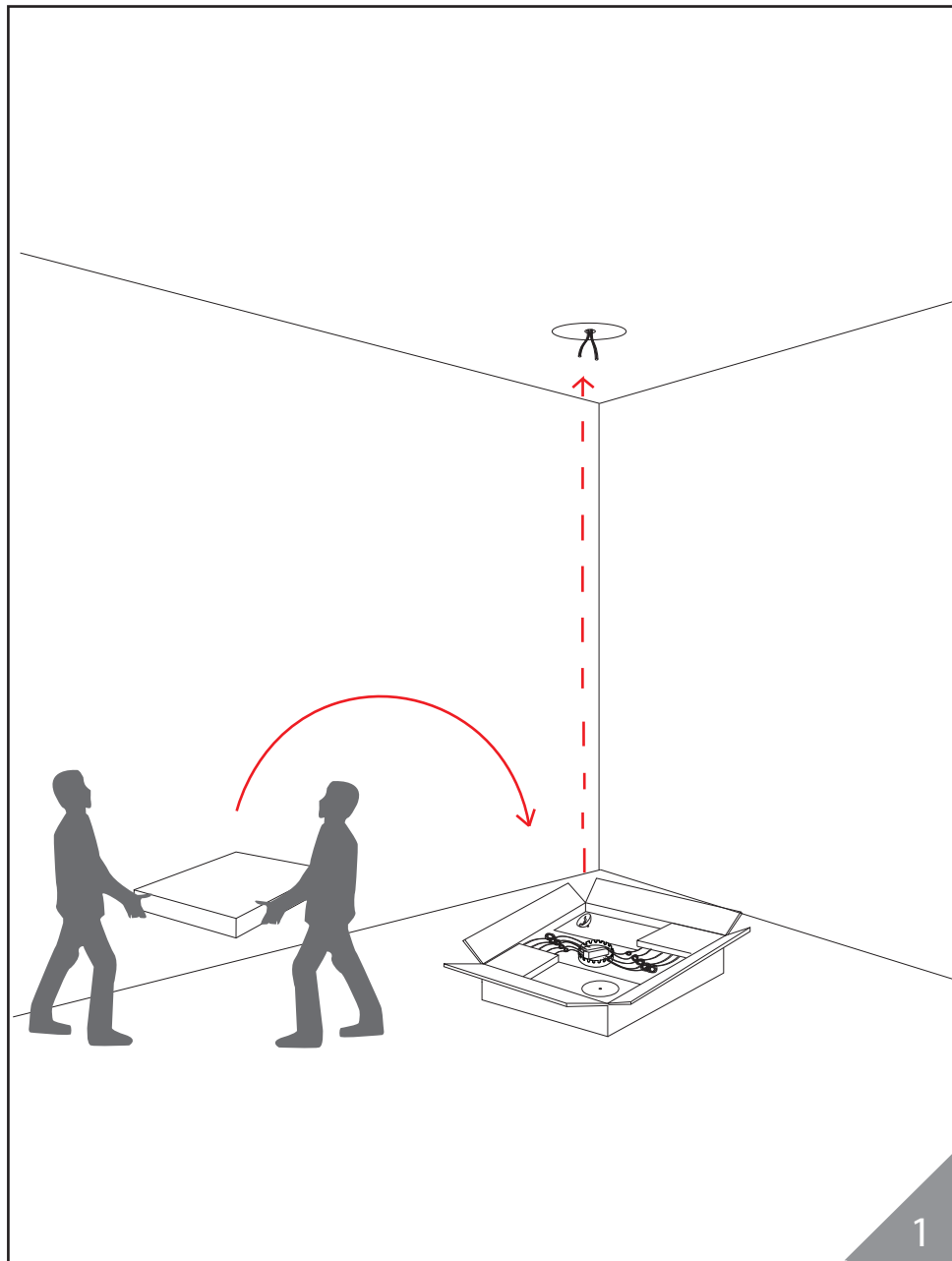
innermost®



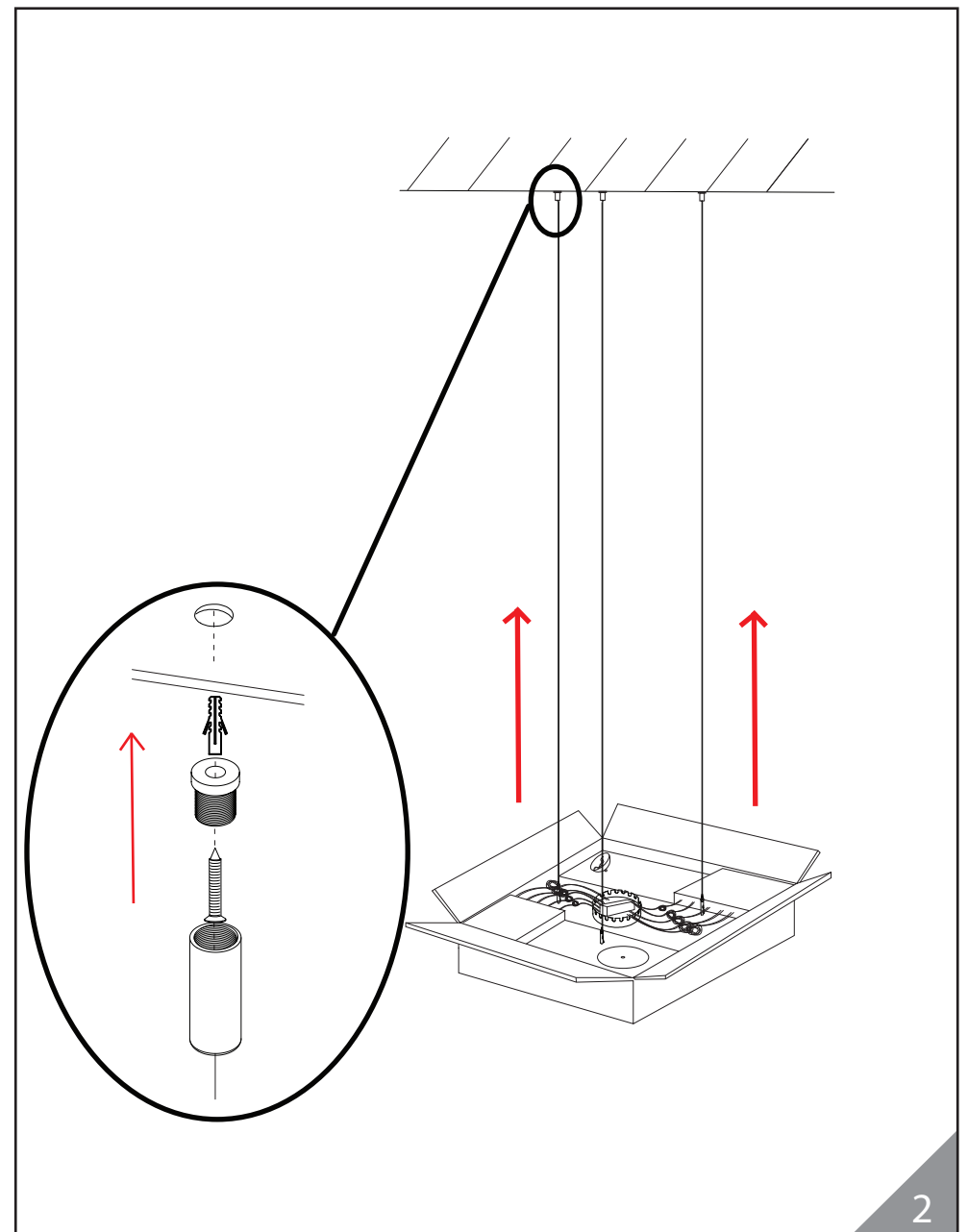
Brixton Spot Cluster

by James Bartlett

innermost®



4

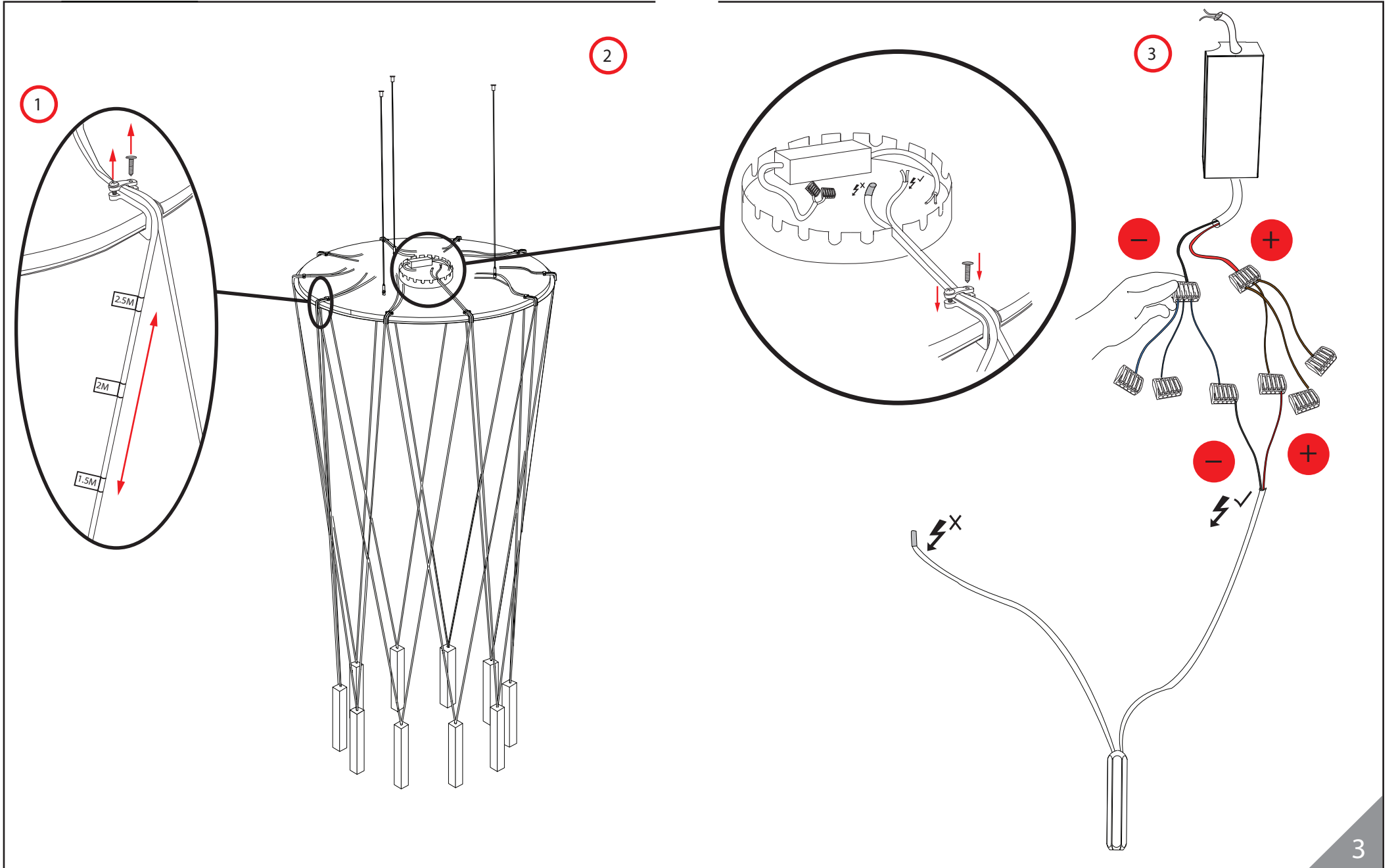


5

Brixton Spot Cluster

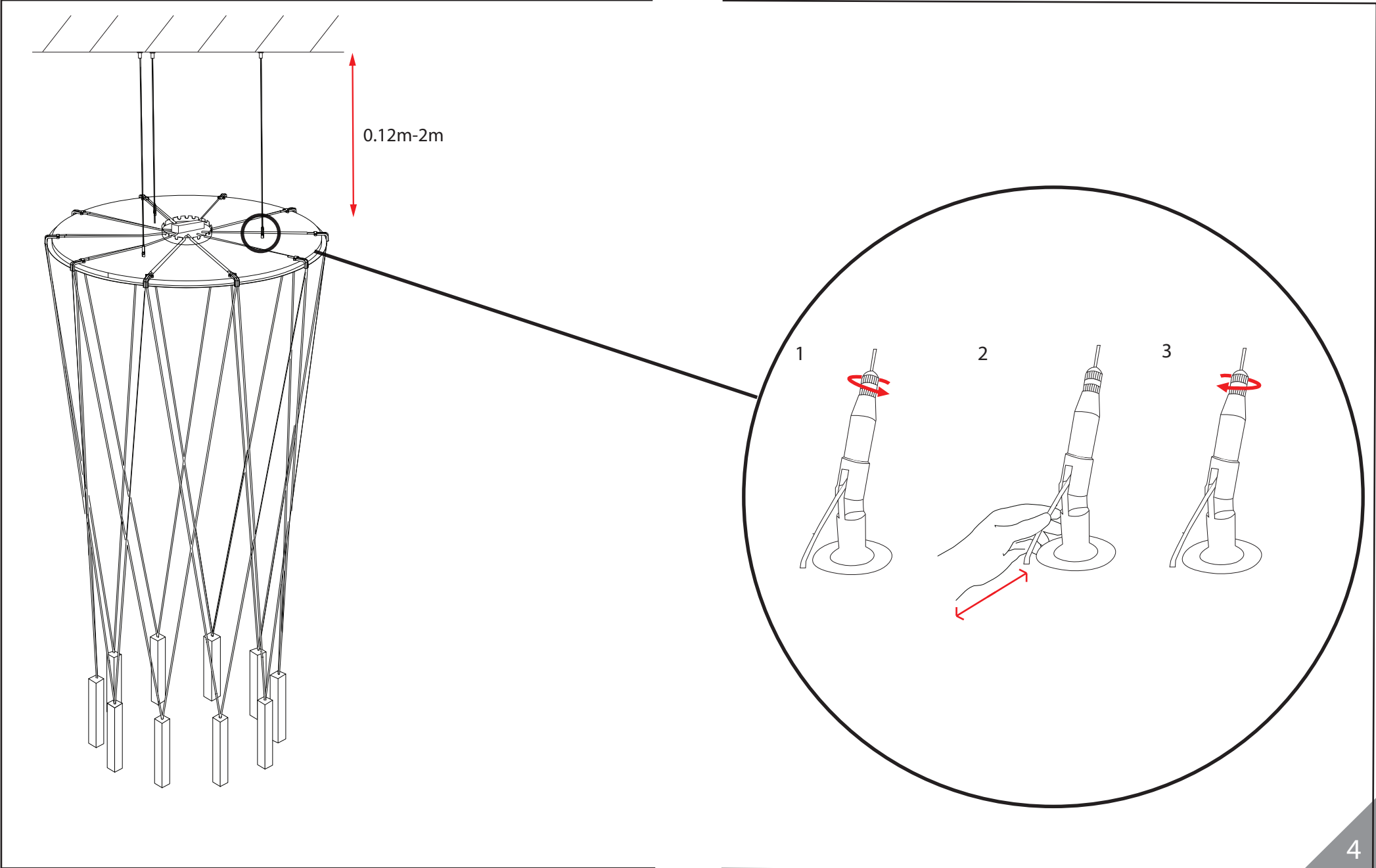
by James Bartlett

innermost®



Brixton Spot Cluster

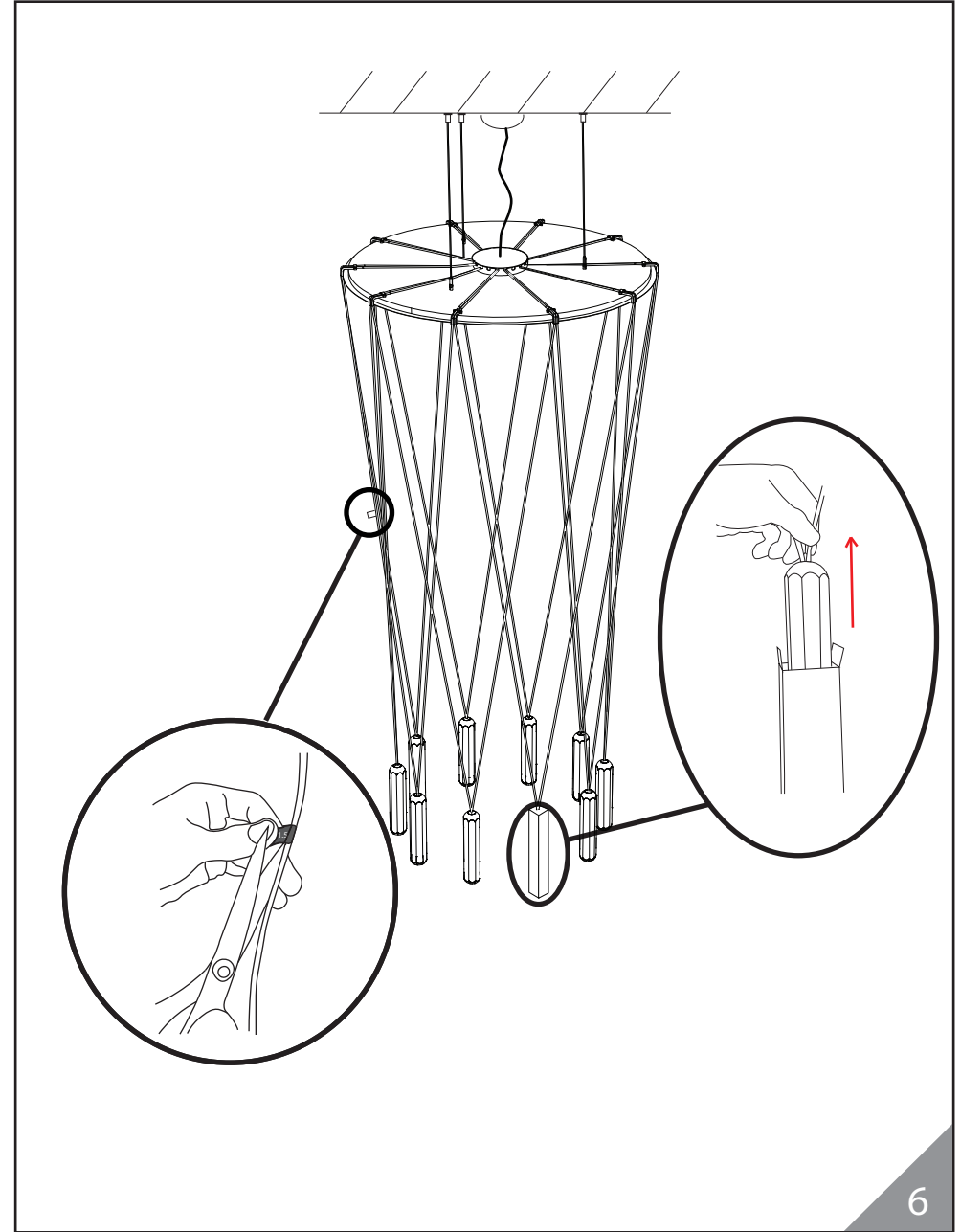
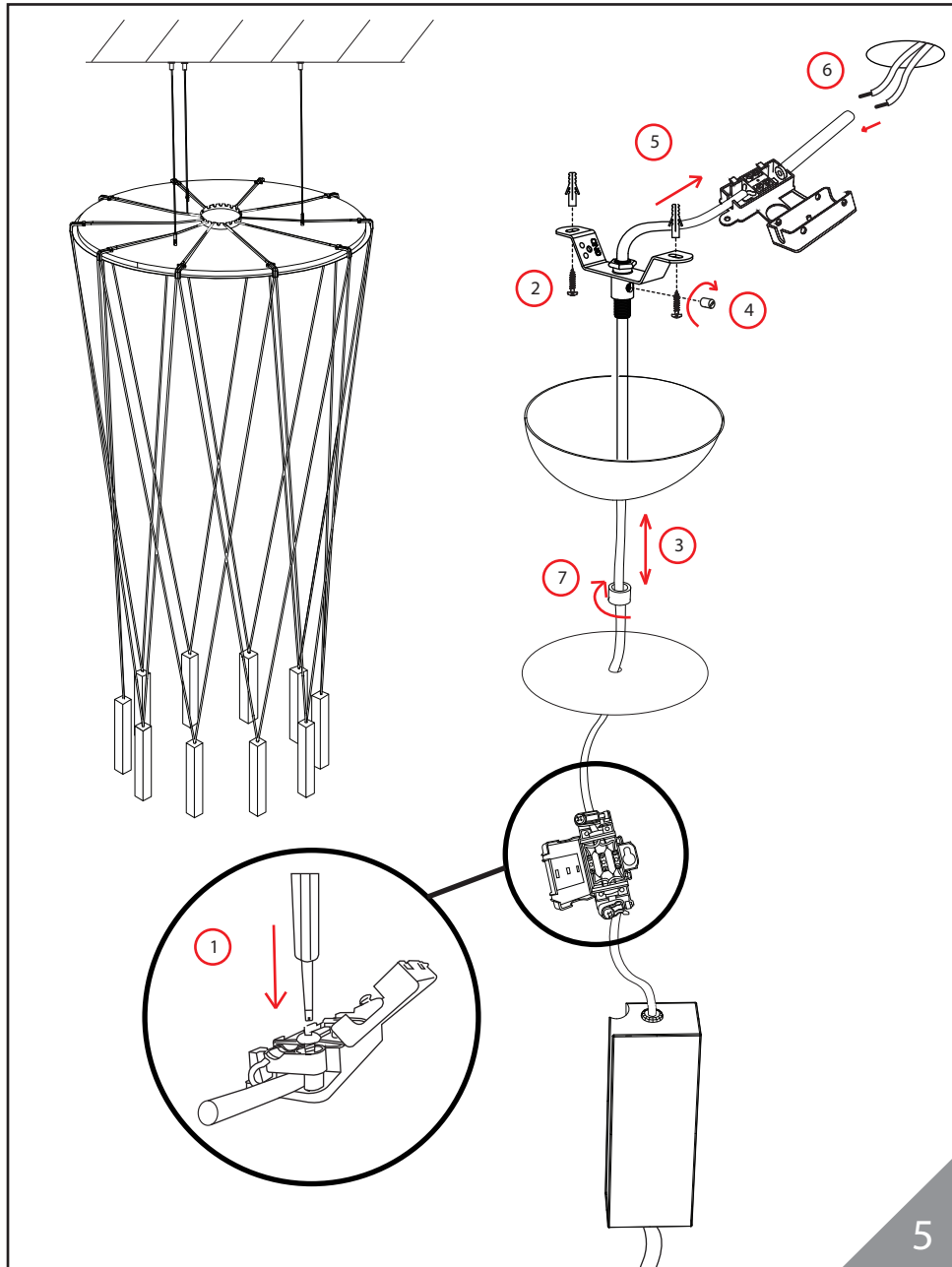
by James Bartlett



Brixton Spot Cluster

by James Bartlett

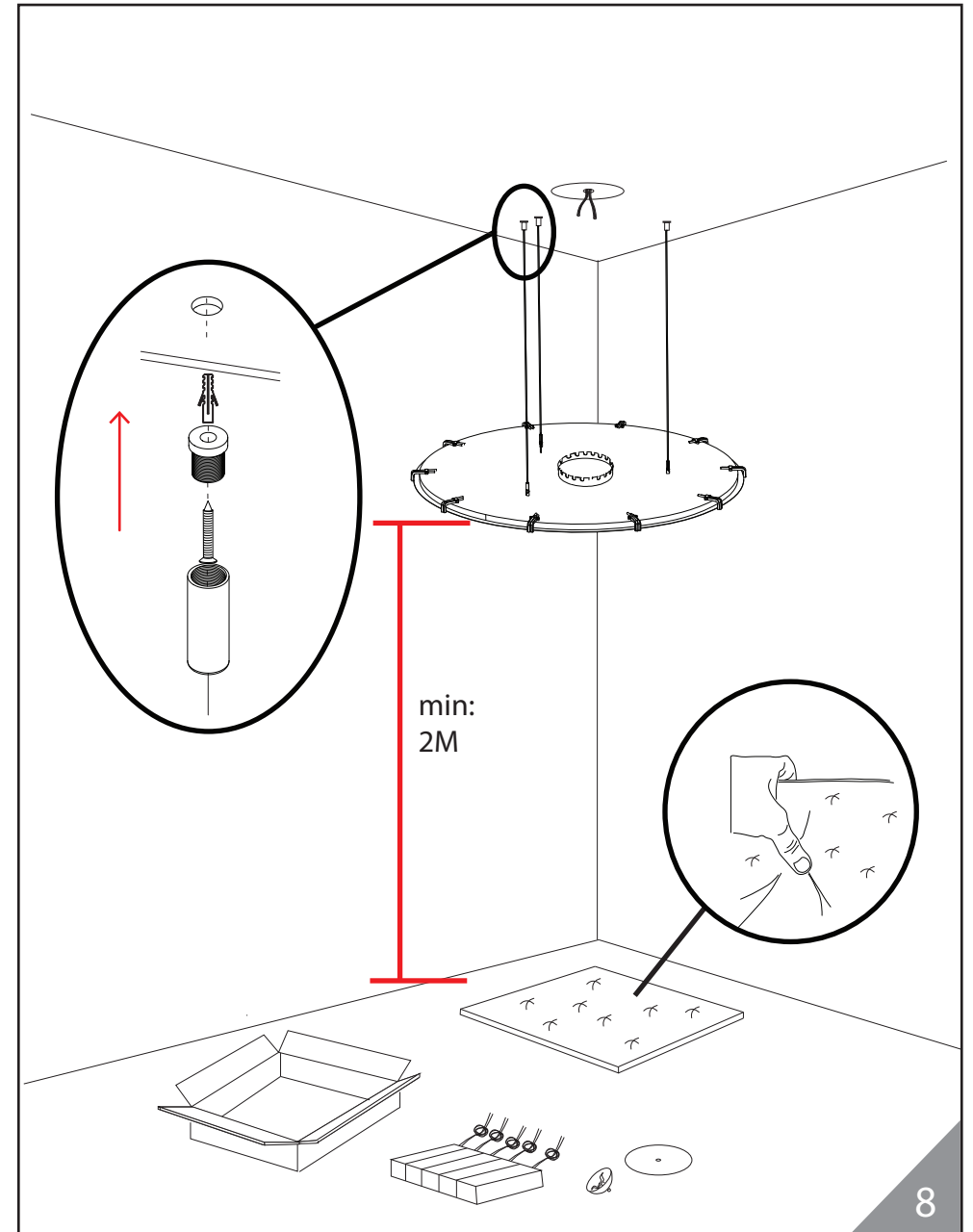
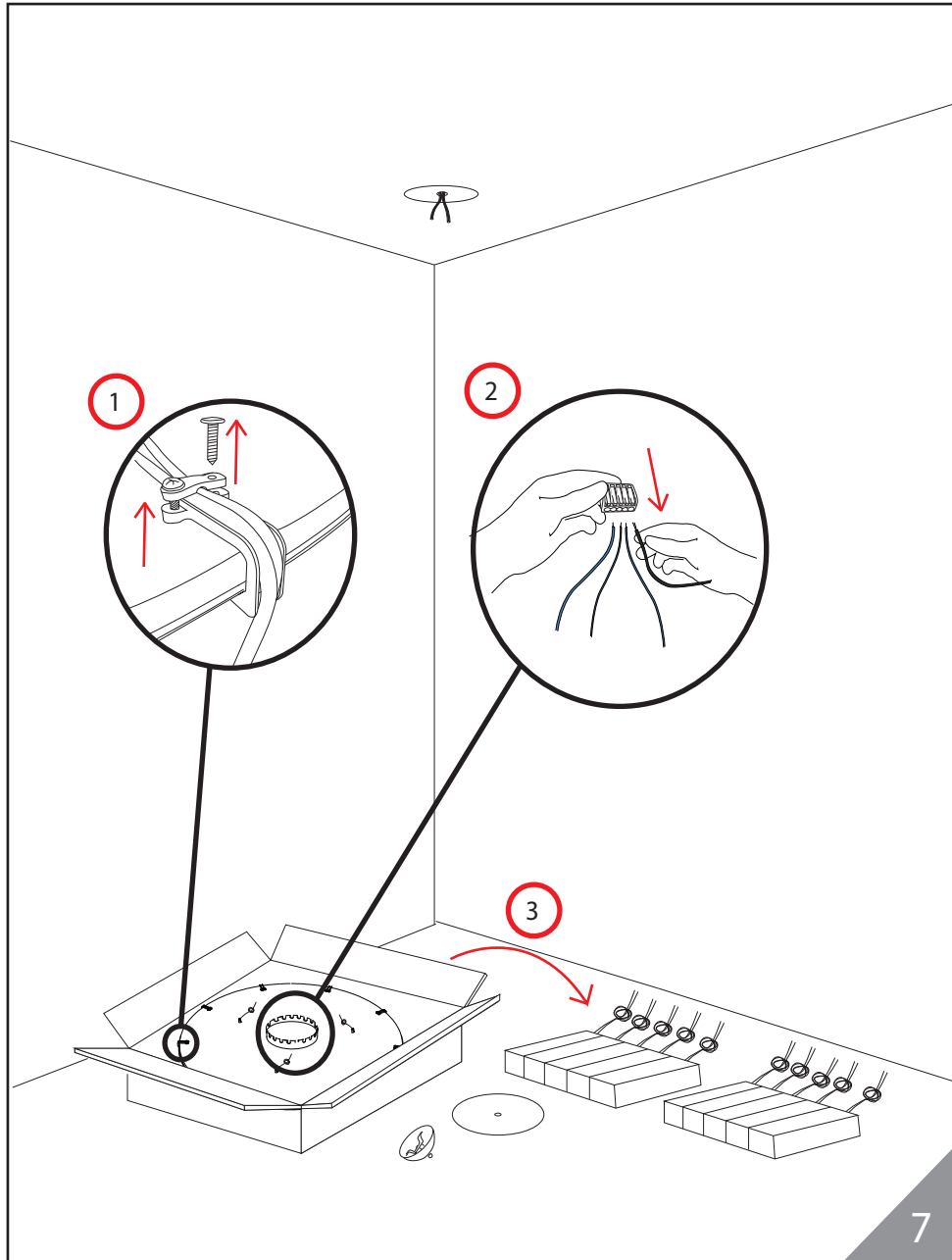
innermost®



Brixton Spot Cluster

by James Bartlett

innermost®




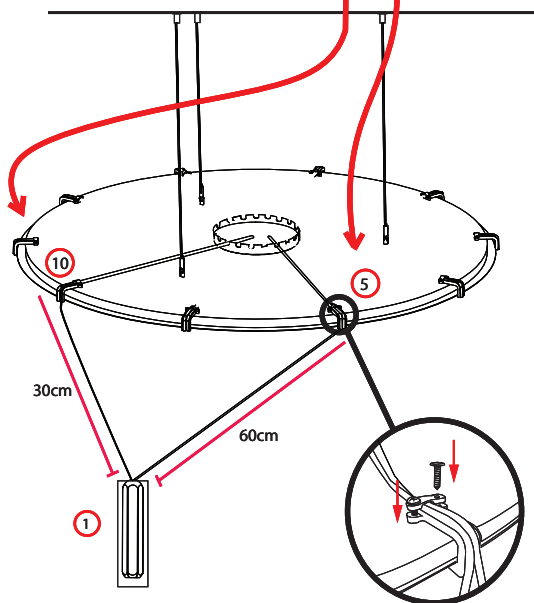
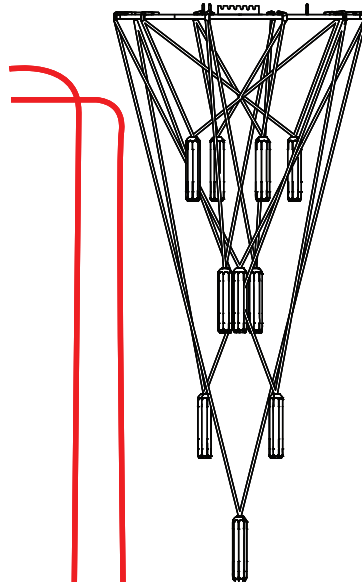
Brixton Spot Cluster

by James Bartlett

Brixton Cluster B

Brixton Number	Length of Cable	Plate Number
1	30cm	10
	60cm	5
2	30cm	5
	60cm	10
3	30cm	3
	60cm	8
4	30cm	8
	60cm	3
5	80cm	9
	80cm	4
6	70cm	2
	90cm	7
7	70cm	7
	90cm	2
8	125cm	1
	130cm	6
9	125cm	6
	130cm	1
10	170cm	9
	170cm	4


→ P.6  3

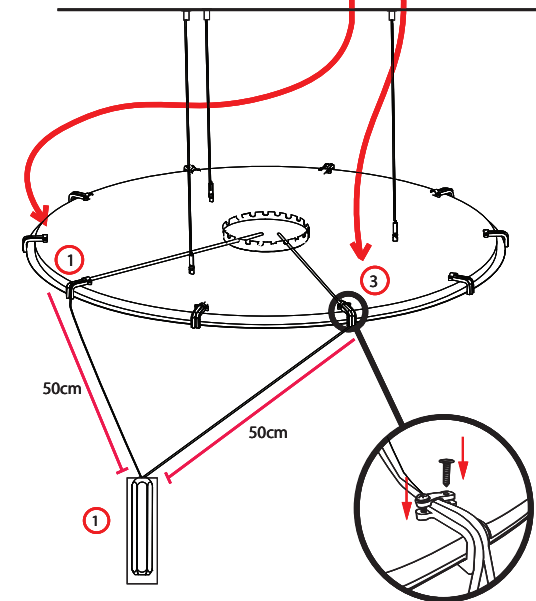
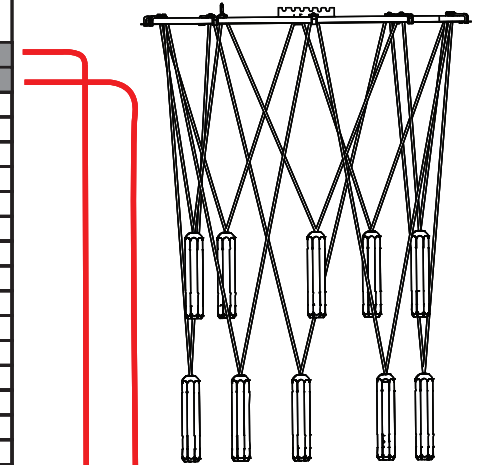


9

Brixton Cluster C

Brixton Number	Length of Cable	Plate Number
1	50cm	1
	50cm	3
2	50cm	3
	50cm	5
3	50cm	5
	50cm	7
4	50cm	7
	50cm	9
5	50cm	9
	50cm	1
6	90cm	2
	90cm	4
7	90cm	4
	90cm	6
8	90cm	6
	90cm	8
9	90cm	8
	90cm	10
10	90cm	10
	90cm	2

→ P.6  3



10

Brixton Spot Cluster

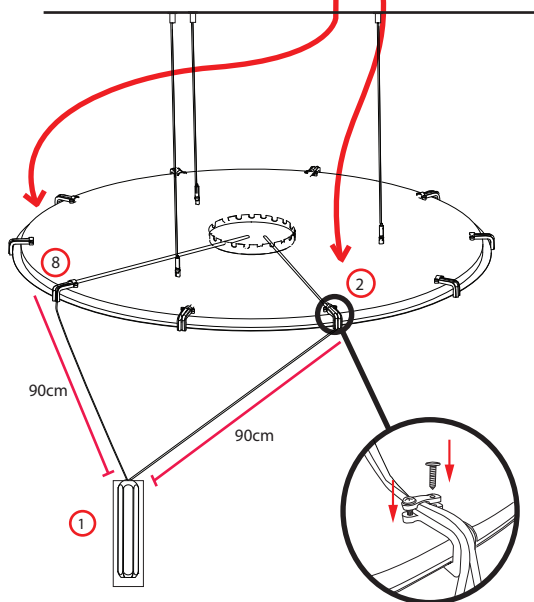
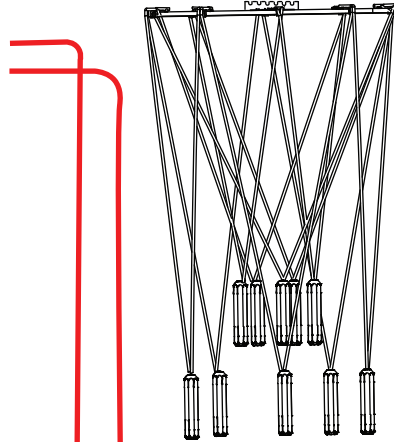
by James Bartlett

innermost®

Brixton Cluster D

Brixton Number	Length of Cable	Plate Number
1	90cm	8
	90cm	2
2	90cm	10
	90cm	4
3	90cm	2
	90cm	6
4	90cm	4
	90cm	8
5	90cm	6
	90cm	10
6	120cm	1
	120cm	3
7	120cm	3
	120cm	5
8	120cm	5
	120cm	7
9	120cm	4
	120cm	7
10	120cm	9
	120cm	1


→ P.6 

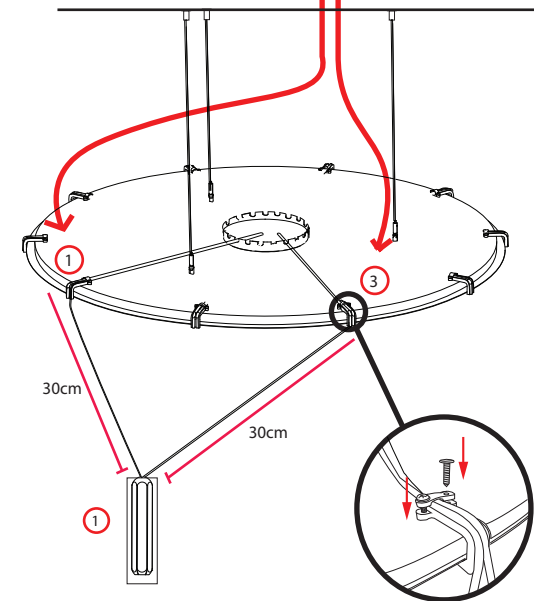
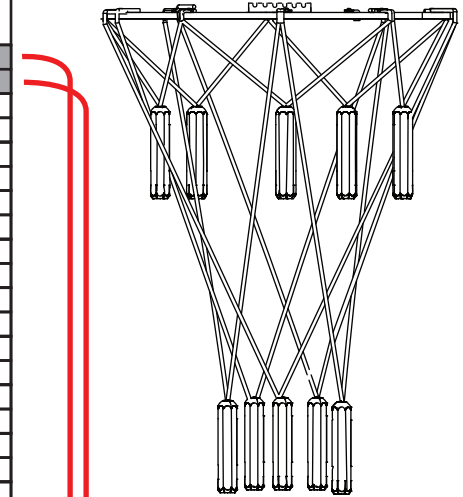


11

Brixton Cluster E

Brixton Number	Length of Cable	Plate Number
1	30cm	1
	30cm	3
2	30cm	3
	30cm	5
3	30cm	5
	30cm	7
4	30cm	7
	30cm	9
5	30cm	9
	30cm	1
6	90cm	8
	90cm	2
7	90cm	10
	90cm	4
8	90cm	2
	90cm	6
9	90cm	4
	90cm	8
10	90cm	6
	90cm	10

→ P.6 



12

Brixton Spot Cluster

by James Bartlett

Brixton Cluster F

Brixton Number	Length of Cable	Plate Number
1	20cm	1
	20cm	2
2	35cm	2
	35cm	3
3	50cm	3
	50cm	4
4	65cm	4
	65cm	5
5	80cm	5
	80cm	6
6	95cm	6
	95cm	7
7	110cm	7
	110cm	8
8	125cm	8
	125cm	9
9	140cm	9
	140cm	10
10	155cm	10
	155cm	1
→ P.6		3

